

FEKA VS - FEKA VX

SUBMERSIBLE CENTRIFUGAL PUMPS



Submersible centrifugal pump with liquid vortex cast steel impeller (technopolymer impeller for Feka VX), suitable for pumping sewer water and waste water in general containing solids up to a maximum size of 50 mm. Handle with insulating rubber cover. AISI 316 stainless steel drive shaft. Double mechanical seal with intermediate oil chamber (atoxic oil), in carbon/alumina on the motor side and silicon carbide/silicon carbide on the pump side.

VS version: Stainless steel pump casing, seal cover, motor casing

VX version: Technopolymer pump casing with threaded metal insert into the delivery port, stainless steel seal cover, motor casing

Dry, asynchronous, sealed and cooled by the pumped liquid. Rotor mounted on greased for-life ball bearings, oversized and selected to guarantee greater noise reduction and duration. Thermo-amperometric protection as standard for single-phase version, and the user's responsibility for the three-phase version. Constantly active capacitor on the single-phase version. Construction in accordance with the IEC 2-3 IEC 61-69 (EN 60335-2-41) standards.

Motor protection class: IP 68

Insulation class: F

Standard voltage: 220-240V 50Hz Single-phase

400V 50Hz Three-phase

Continual running with liquid at 35 °C and pump completely submerged. The single-phase version can be supplied with float for automatic function. Power supply cable: 10 metres of H07RN-F cable with Shuko plug for the single-phase version and 10 metres of H07RN-F cable for the three-phase version.

Operating range: from 0 to 32 m³/h with head up to 14 metres

Pumped liquid: sewer water and waste water in general and non aggressive.

Liquid temperature range: from 0°C to +35°C for household use (EN 60335-2-41), from 0°C to +50°C for other uses

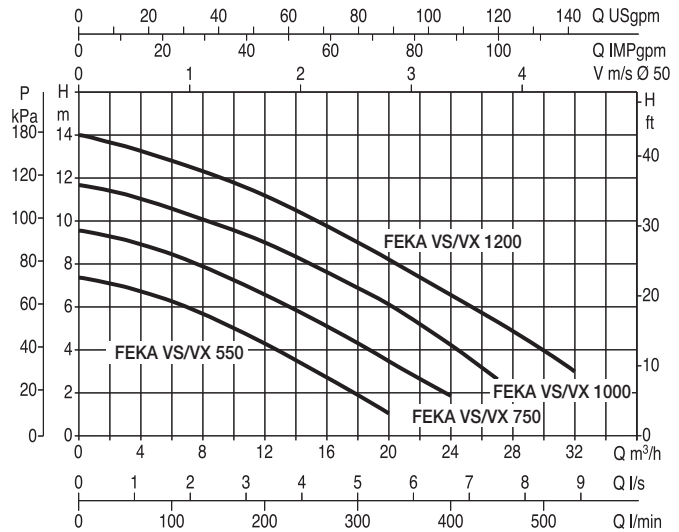
Maximum ambient temperature for pump running

with submerged motor: +40°C

Maximum immersion depth: 10 metres

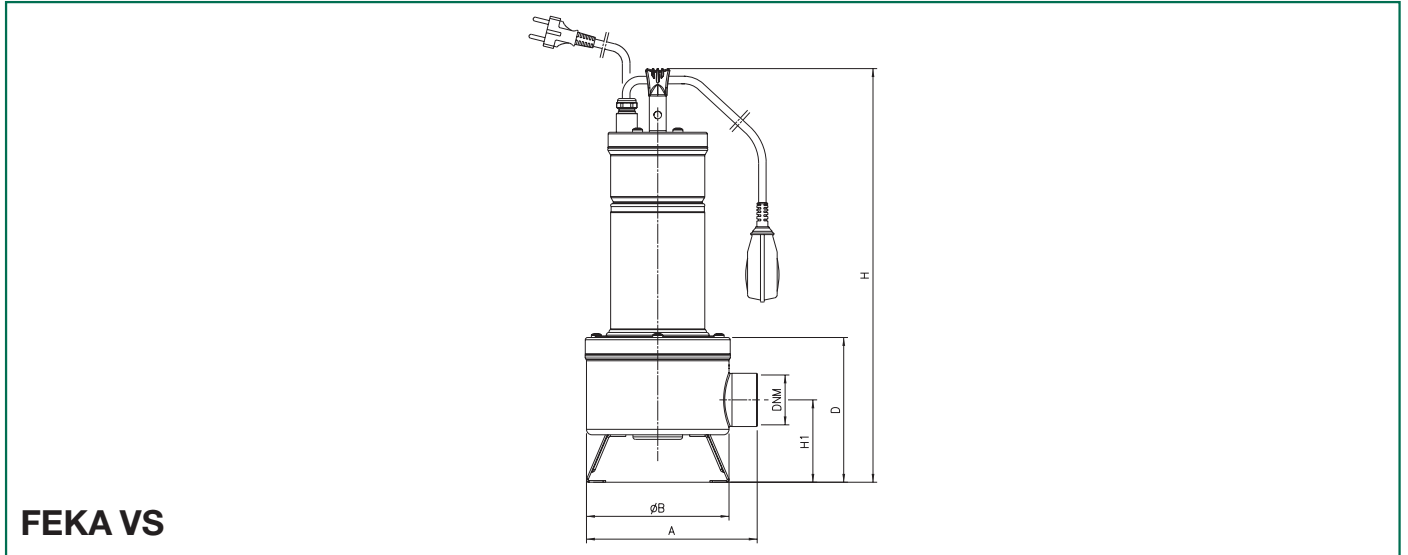
Installation: fixed or portable, vertical.

ELECTRICAL AND HYDRAULIC DATA

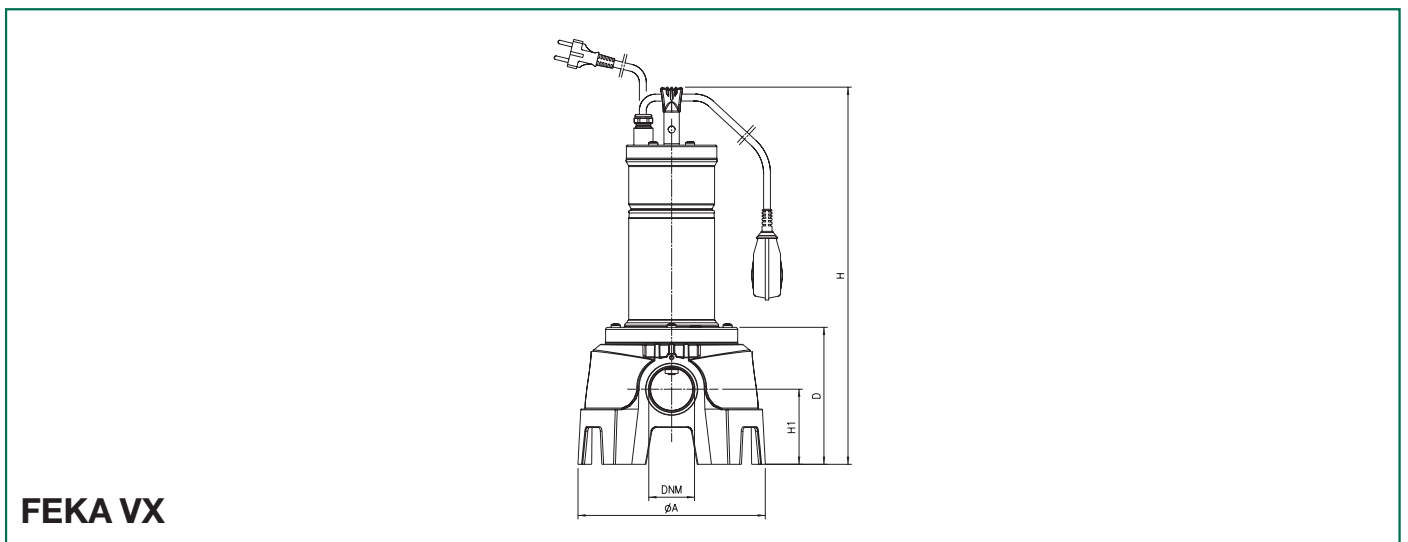


MODEL	VOLTAGE 50 HZ	ELECTRICAL DATA					HYDRAULIC DATA (N=2800 1/min)																		
		P1 max W	P2 Nominal		I _n A	CAPACITOR µF	VC	H (m)																	
			kW	HP				m³/h	0	3	6	12	18	20	24	27	32								
FEKA VS/VX 550 M-NA	1x220-240 V~	927	0,55	0,75	4,2	20	450	H (m)	7,4	6,9	6,2	4,1	1,8	1,2	-	-	-								
FEKA VS/VX 550 M-A																		3x400 V~	900	0,55	0,75	1,64	-	-	
FEKA VS/VX 550 T-NA																									
FEKA VS/VX 750 M-NA	1x220-240 V~	1111	0,75	1	5,13	20	450		9,6	9,2	8,5	6,7	4,3	3,5	1,9	-	-	-							
FEKA VS/VX 750 M-A																			3x400 V~	1038	0,75	1	1,94	-	-
FEKA VS/VX 750 T-NA																									
FEKA VS/VX 1000 M-NA	1x220-240 V~	1469	1	1,36	6,63	25	450		11,8	11,3	10,5	9	6,8	6	4,1	2,7	-	-							
FEKA VS/VX 1000 M-A																			3x400 V~	1374	1	1,36	2,51	-	-
FEKA VS/VX 1000 T-NA																									
FEKA VS/VX 1200 M-NA	1x220-240 V~	1936	1,2	1,6	8,63	30	450		14	13,4	12,8	11,2	9	8,3	6,7	5,3	3	-							
FEKA VS/VX 1200 M-A																			3x400 V~	1865	1,2	1,6	3,44	-	-
FEKA VS/VX 1200 T-NA																									

DIMENSIONS AND WEIGHT



MODEL	A	B	D	H	H1	Ø DNM	PACKAGING DIM.			VOL m ³	WEIGHT Kg
							L/A	L/B	H		
FEKA VS 550	203	170	172	492	98	2"F	240	600	240	0,034	16,3
FEKA VS 750	203	170	172	492	98	2"F	240	600	240	0,034	17,5
FEKA VS 1000	203	170	172	537	98	2"F	240	600	240	0,034	19,3
FEKA VS 1200	203	170	172	537	98	2"F	240	600	240	0,034	20,8



MODEL	A	D	H	H1	Ø DNM	PACKAGING DIM.			VOL m ³	WEIGHT Kg
						L/A	L/B	H		
FEKA VX 550	245	179	498	98	2"F	360	600	320	0,069	16,7
FEKA VX 750	245	179	498	98	2"F	360	600	320	0,069	17,9
FEKA VX 1000	245	179	543	98	2"F	360	600	320	0,069	19,6
FEKA VX 1200	245	179	543	98	2"F	360	600	320	0,069	21,1